

# Carbon Dioxide Monitor and Alarm NEW

Model: **G01-CO2-B3** Series

CO<sub>2</sub>+Temperature and Humidity Detection and Monitoring

- ◆ Real time carbon dioxide detection and monitoring
- ◆ Temperature and humidity detection and display
- ◆ Three-color backlit LCD and buzzer alarm
- ◆ Provide 1x on/off output to control a ventilator
- ◆ Wall mounting and desktop placed
- ◆ High quality technics, elegant appearance, CE-approval

## ■ Features

- ◆ Design for real time monitoring room carbon dioxide level
- ◆ NDIR infrared CO<sub>2</sub> sensor inside with special Self Calibration System. It makes the CO<sub>2</sub> measurement more accurate and more reliable in use.
- ◆ More than 10 years lifetime of CO<sub>2</sub> sensor
- ◆ Temperature and humidity monitoring
- ◆ Three-color (green/yellow/red) LCD backlit indicating ventilation optimal/moderate/poor based on the CO<sub>2</sub> measurement
- ◆ Two alarm ways: buzzer alarm and backlight colours switch
- ◆ Provide optional 1x relay output to control a ventilator
- ◆ Easy touch button for operation
- ◆ Optional RS-485 communication interface, 15 KV antistatic protection, individual IP address
- ◆ High quality technics and elegant appearance, best choice for home and office
- ◆ 220VAC or 24VAC/VDC power selectable; power adaptor available; desktop and wall mounting type available
- ◆ EU standard and CE-approval

## ■ Application

New G01-CO<sub>2</sub> monitor/alarm is used to monitoring room CO<sub>2</sub> level, as well as room temperature and humidity. It provides one on/off output to control a ventilator with four CO<sub>2</sub> levels presetting. Especially it provides both buzzer alarm and three colors backlit switching alarm. RS485 communication interface optional to connect with a PC or other control systems.

- ◆ Hotel, exhibition hall, hospital, shop, restaurant, air port, train station, theater and other public places
- ◆ House, villa, office, meeting room, classroom and other rooms
- ◆ All ventilation systems

## ■ Housing and LCD



## ■ Specifications

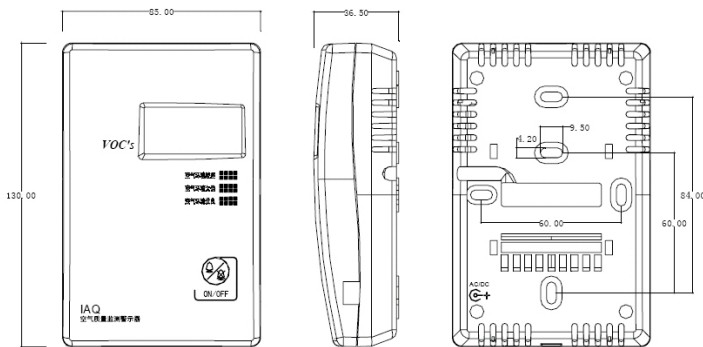
Gas detected	Carbon Dioxide (CO <sub>2</sub> )
Sensing element	Non-Dispersive Infrared Detector (NDIR)
Accuracy@25 (77 °)	±60ppm + 3% of reading
Stability	<2% of FS over life of sensor (15 yr typical)
Calibration interval	ABC Logic Self Calibration Algorithm
NDIR life	15 years
Response Time	<2 minutes for 90% step change
Signal update	Every 2 seconds
Warm up time	24 hours (first time) 5 minutes (operation)
CO <sub>2</sub> measuring range	0 ~ 2,000ppm
CO <sub>2</sub> Display resolution	1ppm
Power supply	100~240VAC or 10~24VAC/VDC selectable with the order
Consumption	3.5 W max. ; 2.5 W avg.
Temperature sensor	NTC
Humidity sensor	HS series capacitive sensor
Temperature measuring range	0 ~ 50 (32 ~ 122 °)
Humidity measuring range	0 ~ 99%RH
Relay output (optional)	One relay output with rated switching current: 3A, resistance load
RS485 interface (optional)	RS-485 with Modbus protocol, 19200bps rate, 15KV antistatic protection, independent base address.
Operation conditions	0~50 (32~122 °); 0~95%RH, non condensing
Storage conditions	-40~70 (-40~158 °)
Weight	200g
Dimensions	130mm(H)×85mm(W)×36.5mm(D)
Installation	Desktop and wall mounting(65mm×65mm or 2"×4" wire box)
Housing and IP class	PC/ABS fireproof plastic material, protection class: IP30
Standard	CE-Approval

## ■ Models Guide

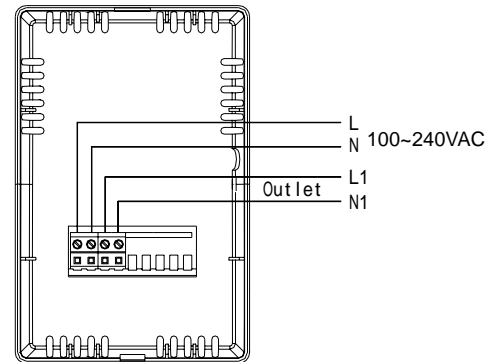
Model	Name	Description	Power Supply	Type
<b>G01-CO2-B321D</b>	CO <sub>2</sub> , temperature and humidity monitor/alarm	Three-color backlit LCD, buzzer alarm	100~240VAC	Wall mounting
<b>G01-CO2-B332C</b>	CO <sub>2</sub> , temperature and humidity monitor/alarm	Three-color backlit LCD, buzzer alarm	10~24VAC/VDC with DC socket and a power adaptor	Desktop
<b>G01-CO2-B341D</b>	CO <sub>2</sub> , temperature and humidity monitor/controller	Three-color backlit LCD, buzzer alarm; 1 on/off output; touch-key for operation	100~240VAC	Wall mounting

<b>G01-CO2-B351C</b>	CO2, temperature and humidity monitor/controller	Three-color backlit LCD, buzzer alarm; 1 on/off output; touch-key for operation	10~24VAC/VDC with a DC socket.	Wall mounting
<b>870</b>	Power adaptor	Input:100~240VAC, Output: DC 24V/ 240mA	Just for G01-CO2-B321D	
<b>873</b>	Vehicle power adaptor	Can plug in the 12VDC power in car	Just for G01-CO2-B332C	
<b>920</b>	Bracket	Can be used for wall mounting type to the desktop type	Just for G01-CO2-B321D	

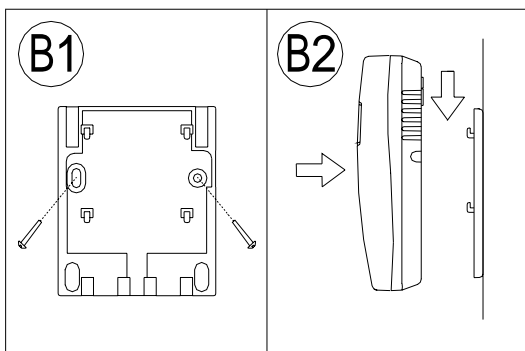
## ■ Mounting and Dimensions



Wall mount wiring



Wall mounting-base bracket



Desktop- bracket

