

# FCU THERMOSTAT DATASHEET

## F2000LB-S&F2000PS SERIES

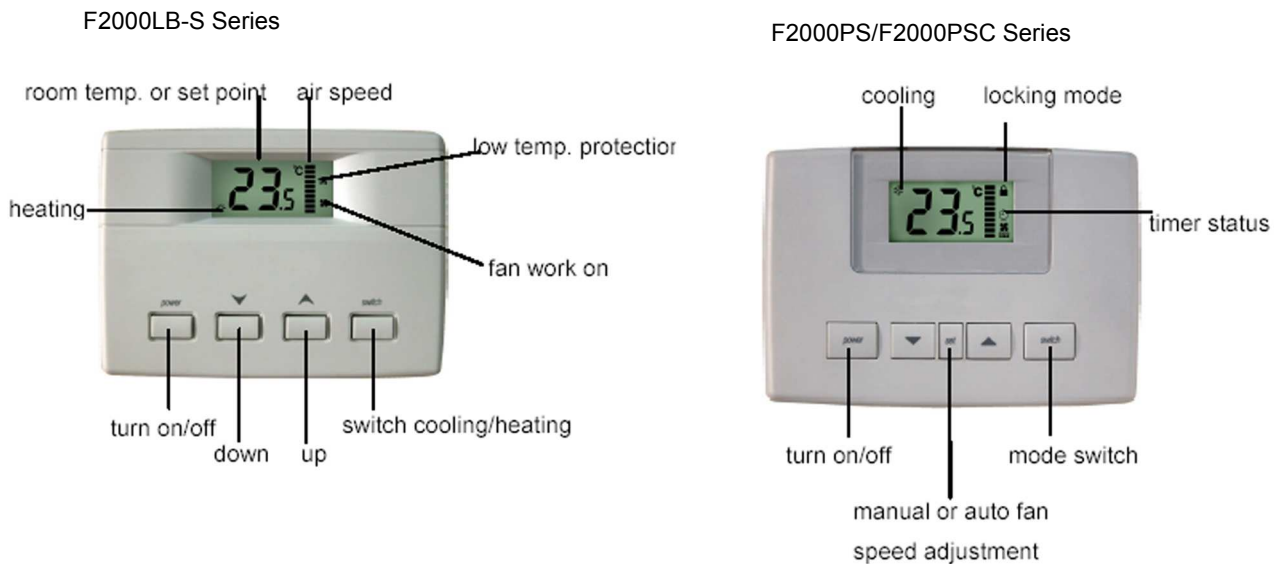
3-Speed Fan and One or Two Water Valves Control  
Non-programmable

The digital thermostat are just for room temperature control in 2-pipes and 4-pipes FCU air conditioning systems with 3-speed fan and one or two water valves.

### □ Features

- ◆ Designed for control a 3-speed fan and one or two water valves with fan speed auto or manual adjustment selectable.
- ◆ LCD displays working status such as room temperature, set point, fan speed, etc. Makes reading and operating easy and accurate.
- ◆ All models feature user-friendly setting buttons
- ◆ Large set point range, the min. and max. limit of temperature presetting by end users
- ◆ Low temperature protection
- ◆ Celsius or Fahrenheit degree selectable
- ◆ Up to 5amp relay outputs to control a 3-speed fan
- ◆ Key-Card function is used for hotels to keep on saving-energy temperature in non-occupancy and return back the set point in occupancy.
- ◆ Infrared Remote Control (optional)
- ◆ Blue backlight (optional)
- ◆ RS485 communication interface (optional)
- ◆ For the FCU systems with a Proportional-Action water valve, please see the F2000PS-A series thermostats

### □ Buttons and LCD



### □ Specifications

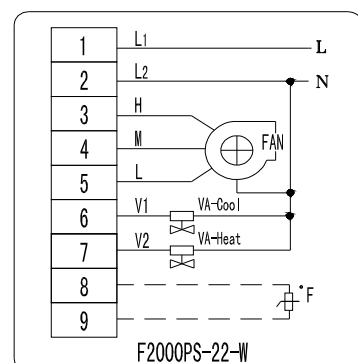
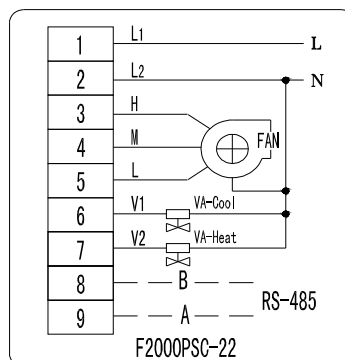
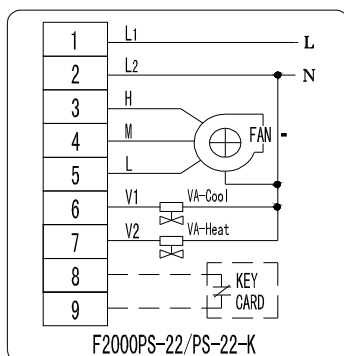
Power supply	220VAC±10% 50/60HZ
Electrical rating	For LB-S series: 2 amp maximum load for 3 speed fan For PS series: 5 amp rated relay outputs for 3-speed fan
Sensor	NTC 5K

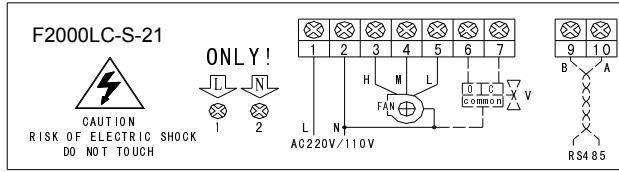
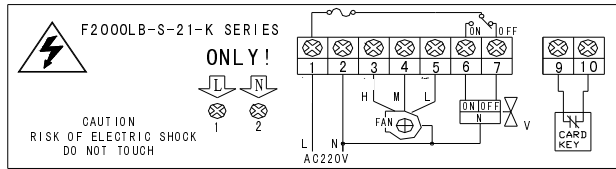
Temperature Control Range	5-35°C (41°F-95°F)
Accuracy	±0.5°C (±1°F) @25°C
Display	LCD
Net Weight	F2000LB series: 260g F2000PS series: 280g
Dimensions	F2000LB-S: 120mm(L)×90mm(W)×22mm(H)+28.5mm(bulge) F2000PS: 130mm(L)×90mm(W)×32mm(H)
Mounting Standard	Mounting on or inside the wall, 2"×4"/ 65mm×65mm box
Standard	CE-Approval for F2000PS series

## □ Models

Types	Model	Characteristic
F2000LB Series FCU thermostat for 2-pipes FCU systems	F2000LB-S-21	3-speed fan auto adjustment, 1*on/off output to a 2-wire/3 wire water valve cooling/heating manual switch
	F2000LB-S-21-K	3-speed fan auto adjustment, 1*on/off output to a 2-wire/3 wire water valve. Key-card option. cooling/heating manual switch
F2000PS Series FCU thermostat for 2-pipes or 4-pipes FCU systems	F2000PS-21	3-speed fan auto or manual adjustment with each 5 amp rated load, 1X on/off output to one 2-wire water valve. cooling/heating manual switch
	F2000PS-22	3-speed fan auto or manual adjustment with each 5 amp rated load, 2X on/off outputs to two 2-wire water valves for 4 pipes systems cooling/heating changeover.
	F2000PS-22-K	3-speed fan auto or manual adjustment with each 5 amp rated load, 2X on/off outputs to two 2-wire water valves for 4 pipes systems. cooling/heating changeover. Key-card option
FCU thermostat with RS485 communication interface	F2000PSC-21	3-speed fan auto or manual adjustment with each 5 amp rated load, 1X on/off output to one 2-wire water valve. RS485 communication interface.
	F2000PSC-22	3-speed fan auto or manual adjustment, 2X on/off outputs to two 2-wire water valves for 4 pipes systems. RS485 communication interface
Types	Options	Characteristic
Options for above models	Blue Backlight - <b>EL</b>	Blue backlight of LCD.
	Remote Control- <b>R</b>	Infrared remote control
	Sensor External- <b>W</b>	Temperature sensor is external (cannot be used with Key-card option)

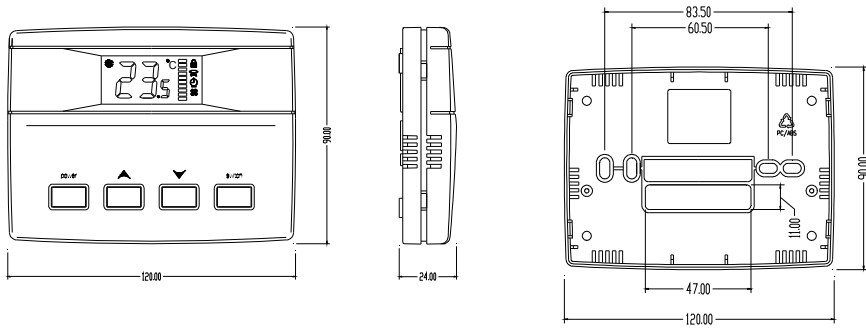
## □ Wiring Diagrams





□ **Mounting**

**F2000LB Series**



**F2000PS/PSC Series**

