

# Room IAQ Monitor / Alarm

## Model#:G02-VOC-B3 SERIES

Indoor Air Quality + Temperature +Humidity Detection

Three-color LCD backlit, Desktop or Wall Mounting

- ◆ Real time indoor air quality detection and alarm
- ◆ High sensitivity to VOC and other indoor contaminative gases
- ◆ Temperature and humidity detection and display
- ◆ Three-color backlit LCD and buzzer alarm
- ◆ Provide 1 xon/off output to control a ventilator
- ◆ Excellent performance

### □ Features

- ◆ Real time monitor ambience air quality
- ◆ Semiconductor mix gases sensor with 5 year life
- ◆ Gas detection: cigarette smoke, VOCs such as formaldehyde and toluene, ethanol, ammonia, hydrogen sulfide, sulfur dioxide and other harmful gases
- ◆ Monitor temperature and relative humidity
- ◆ Three-color (green/yellow/red) LCD backlit indicating air quality at optimal/moderate/poor
- ◆ Preset warning point of buzzer alarm and backlight
- ◆ Provide one relay output to control a ventilator
- ◆ High quality technics and elegant appearance, best choice for home and office
- ◆ 220VAC or 24VAC/VDC power selectable; power adaptor available; desktop and wall mounting type available
- ◆ EU standard and CE-approval

IAQ is a comprehensive index, including room temperature, humidity, fresh air, and diverse air contaminants of low concentration. Monitoring IAQ is very important to guarantee healthy life and work. Air pollution caused by decoration, paints on new furniture, smoke from cigarette or cooker and life or office scrap has become an invisible killer of human life, especially to the infant, the pregnant and the old, it can also cause nerve disorder or weak immunity, which is a potential danger to health.

So the key point is to monitor and control the environment we live in, and make invisible pollution visible.

As there are many kinds of harmful gases in the air, it become really cost to monitor every single kind of air. It is recommended that CO and IAQ be monitored at home, and CO<sub>2</sub>, CO and VOCs in classroom and office.

G02-VOC monitor is specially designed to detect indoor air quality in offices and home environments. Its internal mix gases sensor has high sensitivity not only to VOC's such as toluene and formaldehyde from wood finishing and construction products but also to other air contaminants which are emitted by cigarette smoke, ammonia, hydrogen sulfide etc. It's also sensitive to carbon monoxide, alcohol, disinfectant and other bad smells. So it is more suitable for monitoring IAQ than any other sensor that for a single kind of gas.

### □ Application

- ◆ Ambience air quality detection and alarm
- ◆ Ventilation systems

- ◆ Air cleaning systems.
- ◆ Installation place such as bedroom, sitting room, study and dinner room, kindergarten, classroom, office, car, restaurant, and other public places.



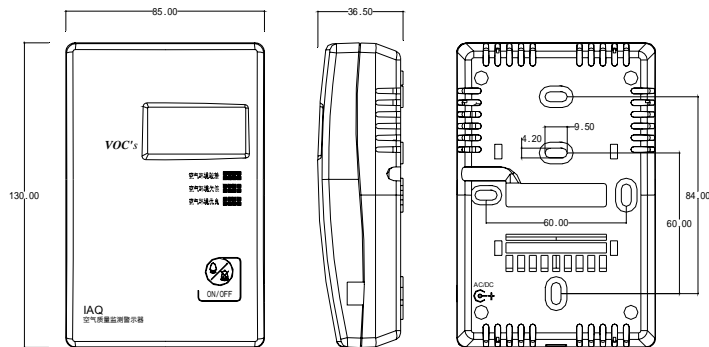
## □ Specifications

Gas detection	Highly sensitive to many harmful gases, such as harmful gases from construction and decoration materials, VOCs (like toluene and formaldehyde); Cigarette smoke; Ammonia and H2S and other gases from household wastes; CO, SO2 from cooking and burning; Alcohol, Natural gas, detergent and other bad smells etc.	
Sensing element	Semiconductor mix gas sensor of long working life and good stability	
Signal update	1s	
Warm up time	72 hours (first time), 10 mins (normal operation)	
VOC measuring range	0 ~ 30ppm ( 1ppm= 1 part per million)	
Display resolution	0.1ppm	
VOC setting resolution	0.1ppm	
Temperature & Humidity Sensor	Temperature	Relative Humidity
Sensing element	NTC 5K	Capacitive sensor
Measuring range	0~50	0 -95%RH
Accuracy	±0.5 (25 , 40%-60%RH)	±3%RH (25 , 40%-60%RH)
Display resolution	0.5	1%RH
Stability	±0.5 per year	±1%RH per year
Output	1xRelay output to control a ventilator or air-purifier, max current 3A resistance ( 220VAC )	
Warning alarm	Inner buzzer alarm and also three colors backlit switch as well	
Buzzer alarm	Alarm starts when VOC value above 22ppm	
LCD backlit	Green—optimal air quality	▶ enjoy the air quality
	Yellow—moderate air quality	▶ ventilation suggested
	Red—poor air quality	▶ ventilation immediately
Operation condition	-20 ~60 (-4 ~140 )/ 0~ 95% RH	
Storage conditions	-40 ~ 70 (-40 ~ 194 )/ 5~ 95% RH	
Net Weight	190g	
Dimensions	130mm(L)×85mm(W)×36.5mm(H)	
Installation standard	Desktop or wall mount (65mm×65mm or 85mmX85mm or 2"×4" wire box)	
Wiring standard	Wire section area <1.5mm <sup>2</sup>	
Power supply	9~24VAC/VDC , 220VAC ± 10% 50/60HZ	
Consumption	2.8 W	
Quality System	ISO 9001	
Housing	PC/ABS fire-proof, IP30 protection	
Certificate	CE	

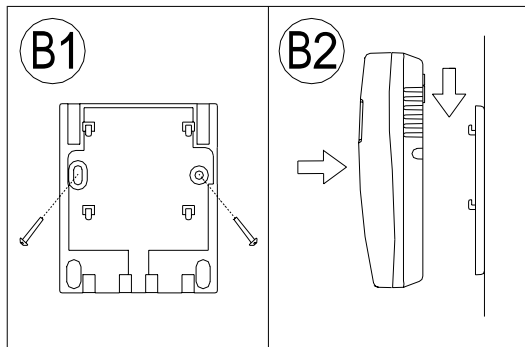
## Models

Model	Name	Description	Power	Type
G02-VOC-B320A	IAQ, temperature and humidity monitor/alarm	Three-color backlit LCD, buzzer alarm	220VAC ± 10% (50/60HZ)	Wall mounting
G02-VOC-B332C	IAQ, temperature and humidity monitor/alarm	Three-color backlit LCD, buzzer alarm	10~24VAC/VDC, with DC socket and a power adaptor	desktop, with a bracket
G02-VOC-B340A	IAQ, temperature and humidity monitor/controller	Three-color backlit LCD, buzzer alarm; 1 on/off output; touch-key for operation	220VAC (50/60HZ)	Wall mounting

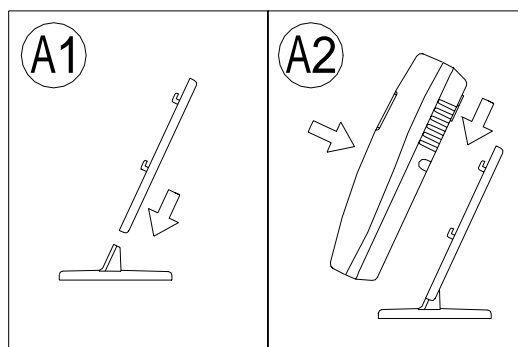
## Mounting and Dimensions



Wall mount base plate



Desktop bracket



Wall mount wiring

